



CPF2E30-300



H75-H120

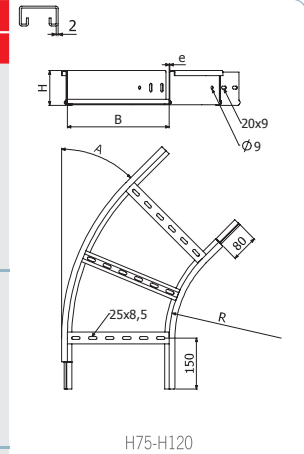


H150

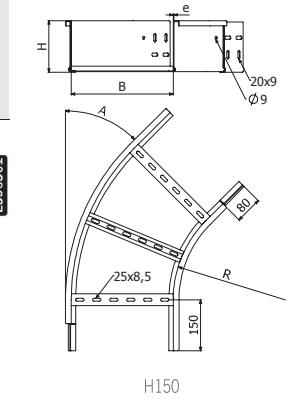


	A		R		B		H		GC	
	°	mm	inch	mm	inch	mm	inch	REF.	kg/ud	
CPF2E30-300 100X100X2	30	300	12"	100	4"	100	4"	2/15920	2,30	
CPF2E30-300 150X100X2	30	300	12"	150	6"	100	4"	2/15921	2,50	
CPF2E30-300 200X100X2	30	300	12"	200	8"	100	4"	2/15922	2,71	
CPF2E30-300 300X100X2	30	300	12"	300	12"	100	4"	2/15923	3,12	
CPF2E30-300 400X100X2	30	300	12"	400	16"	100	4"	2/15924	3,54	
CPF2E30-300 500X100X2	30	300	12"	500	20"	100	4"	2/15925	3,95	
CPF2E30-300 600X100X2	30	300	12"	600	24"	100	4"	2/15926	4,36	
CPF2E30-300 150X120X2	30	300	12"	150	6"	120	4 5/7"	2/15927	2,98	
CPF2E30-300 200X120X2	30	300	12"	200	8"	120	4 5/7"	2/15928	3,20	
CPF2E30-300 300X120X2	30	300	12"	300	12"	120	4 5/7"	2/15929	3,64	
CPF2E30-300 400X120X2	30	300	12"	400	16"	120	4 5/7"	2/15930	4,07	
CPF2E30-300 500X120X2	30	300	12"	500	20"	120	4 5/7"	2/15931	4,51	
CPF2E30-300 600X120X2	30	300	12"	600	24"	120	4 5/7"	2/15932	4,95	
CPF2E30-300 150X150X2	30	300	12"	150	6"	150	6"	2/15933	3,46	
CPF2E30-300 200X150X2	30	300	12"	200	8"	150	6"	2/15934	3,69	
CPF2E30-300 300X150X2	30	300	12"	300	12"	150	6"	2/15935	4,15	
CPF2E30-300 400X150X2	30	300	12"	400	16"	150	6"	2/15936	4,61	
CPF2E30-300 500X150X2	30	300	12"	500	20"	150	6"	2/15937	5,08	
CPF2E30-300 600X150X2	30	300	12"	600	24"	150	6"	2/15938	5,54	

4/100 x B2 (2/6792 - GC) (8/100 x B2 ↑ 150)



H75-H120



H150

CPF2E45-300



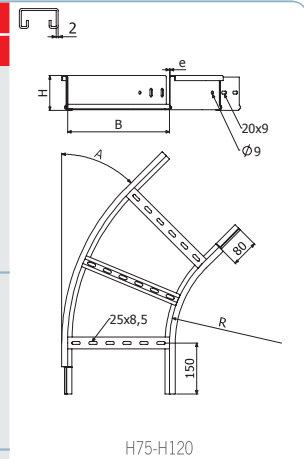
H75-H120



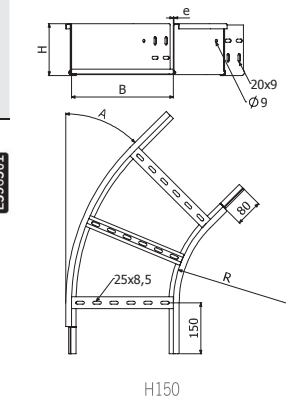
H150

	A		R		B		H		GC	
	°	mm	inch	mm	inch	mm	inch	REF.	kg/ud	
CPF2E45-300 100X100X2	45	300	12"	100	4"	100	4"	2/15946	2,83	
CPF2E45-300 150X100X2	45	300	12"	150	6"	100	4"	2/15947	3,14	
CPF2E45-300 200X100X2	45	300	12"	200	8"	100	4"	2/15948	3,45	
CPF2E45-300 300X100X2	45	300	12"	300	12"	100	4"	2/15949	4,52	
CPF2E45-300 400X100X2	45	300	12"	400	16"	100	4"	2/15950	5,29	
CPF2E45-300 500X100X2	45	300	12"	500	20"	100	4"	2/15951	6,06	
CPF2E45-300 600X100X2	45	300	12"	600	24"	100	4"	2/15952	6,83	
CPF2E45-300 150X120X2	45	300	12"	150	6"	120	4 5/7"	2/15953	3,71	
CPF2E45-300 200X120X2	45	300	12"	200	8"	120	4 5/7"	2/15954	4,04	
CPF2E45-300 300X120X2	45	300	12"	300	12"	120	4 5/7"	2/15955	5,15	
CPF2E45-300 400X120X2	45	300	12"	400	16"	120	4 5/7"	2/15956	5,96	
CPF2E45-300 500X120X2	45	300	12"	500	20"	120	4 5/7"	2/15957	6,76	
CPF2E45-300 600X120X2	45	300	12"	600	24"	120	4 5/7"	2/15958	7,57	
CPF2E45-300 150X150X2	45	300	12"	150	6"	150	6"	2/15959	4,28	
CPF2E45-300 200X150X2	45	300	12"	200	8"	150	6"	2/15960	4,63	
CPF2E45-300 300X150X2	45	300	12"	300	12"	150	6"	2/15961	5,78	
CPF2E45-300 400X150X2	45	300	12"	400	16"	150	6"	2/15962	6,62	
CPF2E45-300 500X150X2	45	300	12"	500	20"	150	6"	2/15963	7,47	
CPF2E45-300 600X150X2	45	300	12"	600	24"	150	6"	2/15964	8,31	

4/100 x B2 (2/6792 - GC) (8/100 x B2 ↑ 150)



H75-H120



H150



CPF2E60-300

	A		R		B		H		GC	
	°	mm	inch	mm	inch	mm	inch	REF.	kg/ud	
CPF2E60-300 100X100X2	60	300	12"	100	4"	100	4"	2/15972	3,21	
CPF2E60-300 150X100X2	60	300	12"	150	6"	100	4"	2/15973	3,54	
CPF2E60-300 200X100X2	60	300	12"	200	8"	100	4"	2/15974	3,88	
CPF2E60-300 300X100X2	60	300	12"	300	12"	100	4"	2/15975	5,01	
CPF2E60-300 400X100X2	60	300	12"	400	16"	100	4"	2/15976	5,83	
CPF2E60-300 500X100X2	60	300	12"	500	20"	100	4"	2/15977	6,66	
CPF2E60-300 600X100X2	60	300	12"	600	24"	100	4"	2/15978	7,48	
CPF2E60-300 150X120X2	60	300	12"	150	6"	120	4 5/7"	2/15979	4,21	
CPF2E60-300 200X120X2	60	300	12"	200	8"	120	4 5/7"	2/15980	4,57	
CPF2E60-300 300X120X2	60	300	12"	300	12"	120	4 5/7"	2/15981	5,75	
CPF2E60-300 400X120X2	60	300	12"	400	16"	120	4 5/7"	2/15982	6,62	
CPF2E60-300 500X120X2	60	300	12"	500	20"	120	4 5/7"	2/15983	7,50	
CPF2E60-300 600X120X2	60	300	12"	600	24"	120	4 5/7"	2/15984	8,37	
CPF2E60-300 150X150X2	60	300	12"	150	6"	150	6"	2/15985	4,87	
CPF2E60-300 200X150X2	60	300	12"	200	8"	150	6"	2/15986	5,26	
CPF2E60-300 300X150X2	60	300	12"	300	12"	150	6"	2/15987	6,49	
CPF2E60-300 400X150X2	60	300	12"	400	16"	150	6"	2/15988	7,41	
CPF2E60-300 500X150X2	60	300	12"	500	20"	150	6"	2/15989	8,34	
CPF2E60-300 600X150X2	60	300	12"	600	24"	150	6"	2/15990	9,26	



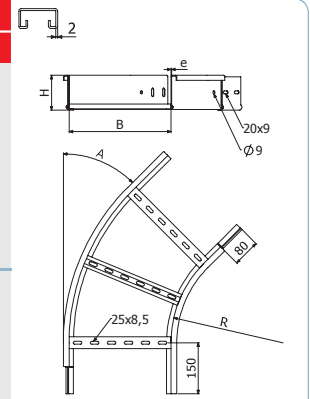
H75-H120



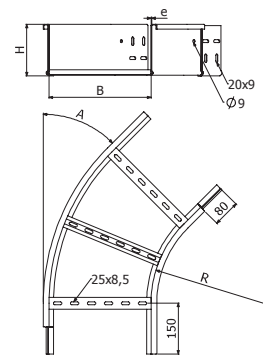
H150



4/100 x B2 (2/6792 - GC) (8/100 x B2 ↑ 150)



H75-H120



H150

CPF2E-300

	A		R		B		H		GC	
	°	mm	inch	mm	inch	mm	inch	REF.	kg/ud	
CPF2E-300 100X100X2	90	300	12"	100	4"	100	4"	2/15998	3,96	
CPF2E-300 150X100X2	90	300	12"	150	6"	100	4"	2/15999	4,35	
CPF2E-300 200X100X2	90	300	12"	200	8"	100	4"	2/16000	4,74	
CPF2E-300 300X100X2	90	300	12"	300	12"	100	4"	2/16001	5,98	
CPF2E-300 400X100X2	90	300	12"	400	16"	100	4"	2/16002	6,91	
CPF2E-300 500X100X2	90	300	12"	500	20"	100	4"	2/16003	7,84	
CPF2E-300 600X100X2	90	300	12"	600	24"	100	4"	2/16004	8,78	
CPF2E-300 150X120X2	90	300	12"	150	6"	120	4 5/7"	2/160005	5,21	
CPF2E-300 200X120X2	90	300	12"	200	8"	120	4 5/7"	2/16006	5,64	
CPF2E-300 300X120X2	90	300	12"	300	12"	120	4 5/7"	2/16007	6,95	
CPF2E-300 400X120X2	90	300	12"	400	16"	120	4 5/7"	2/16008	7,95	
CPF2E-300 500X120X2	90	300	12"	500	20"	120	4 5/7"	2/16009	8,96	
CPF2E-300 600X120X2	90	300	12"	600	24"	120	4 5/7"	2/16010	9,97	
CPF2E-300 150X150X2	90	300	12"	150	6"	150	6"	2/16011	6,06	
CPF2E-300 200X150X2	90	300	12"	200	8"	150	6"	2/16012	6,53	
CPF2E-300 300X150X2	90	300	12"	300	12"	150	6"	2/16013	7,91	
CPF2E-300 400X150X2	90	300	12"	400	16"	150	6"	2/16014	9,00	
CPF2E-300 500X150X2	90	300	12"	500	20"	150	6"	2/16015	10,08	
CPF2E-300 600X150X2	90	300	12"	600	24"	150	6"	2/16016	11,16	

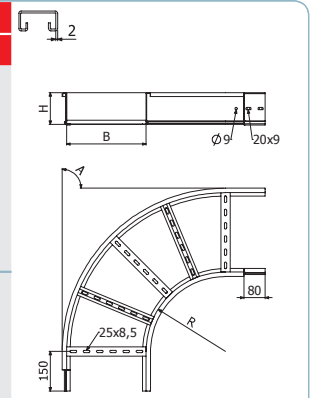


H75-H120

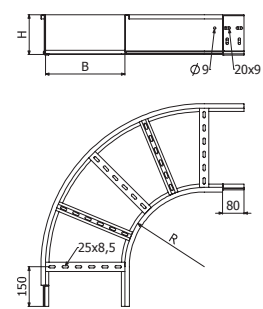


H150

4/100 x B2 (2/6792 - GC) (8/100 x B2 ↑ 150)



H75-H120



H150